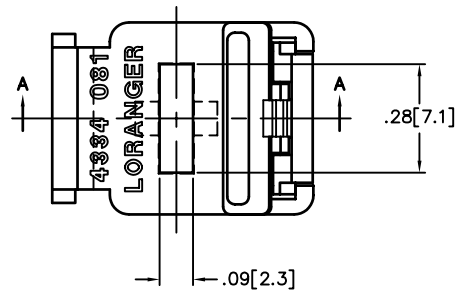
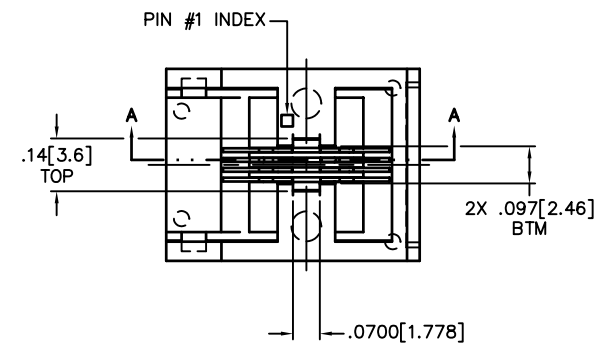


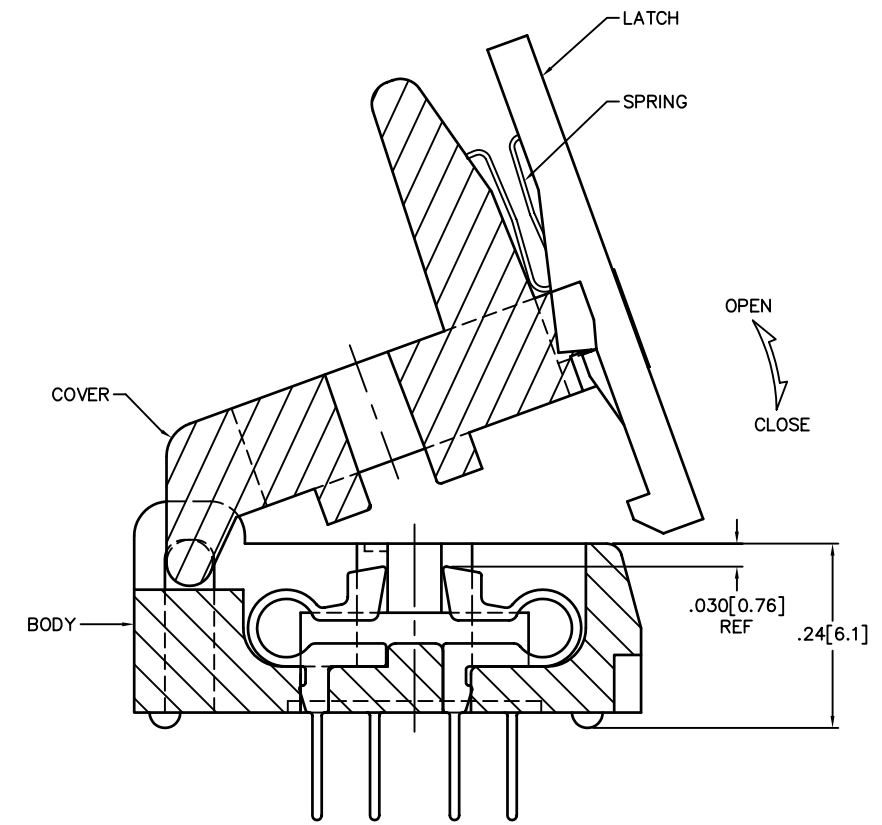
REVISION		
symbol	description	initial/date
*	UPDATED DRAWING FORMAT	WTC/5-13-04



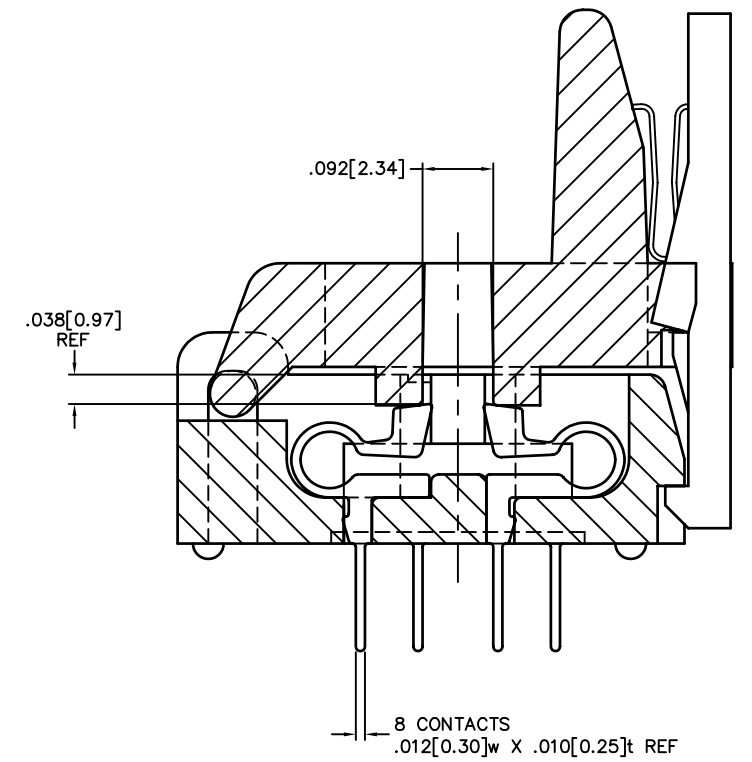
TOP VIEW COVER



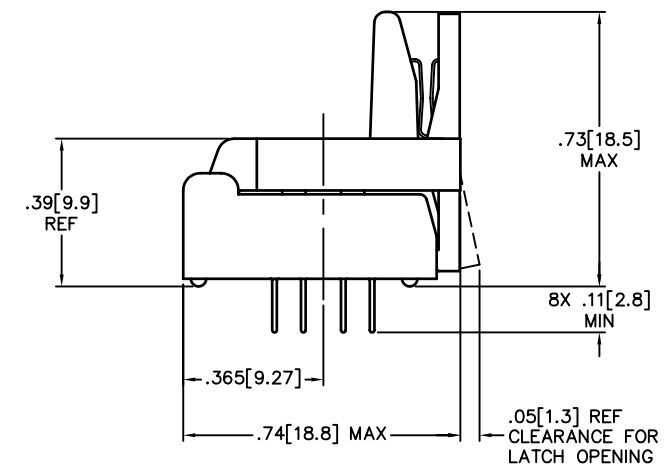
TOP VIEW COVER REMOVED



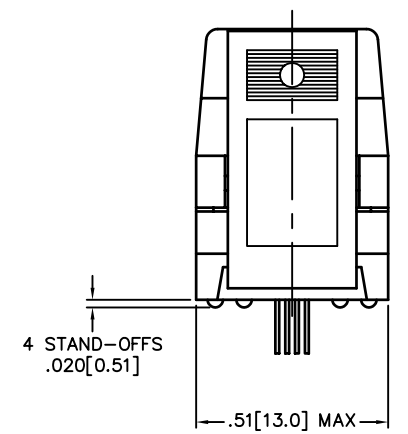
SECTION "A"- "A" (SCALE : 4/1)
(SOCKET OPENING)



SECTION "A"- "A" (SCALE : 4/1)
(SOCKET CLOSED)




FRONT VIEW



RIGHT SIDE VIEW

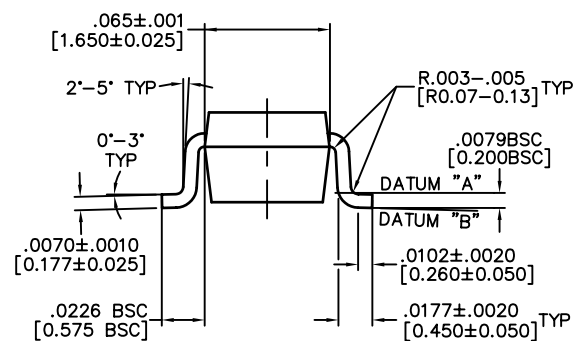
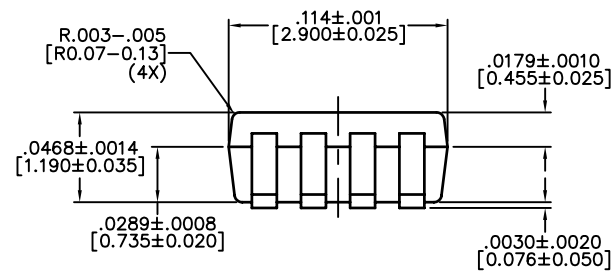
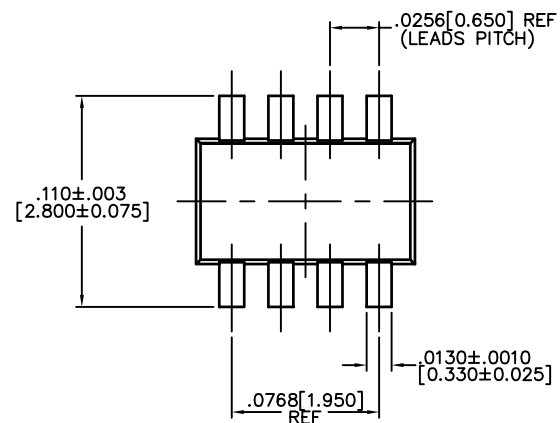
• CONTROLLING DIMENSIONS : INCH

 Warren, PA 16365		NOTICE Drawing is subject to change without notice and is L.I.C. proprietary in design and content. L.I.C. retains all patent rights and exclusive rights of use, manufacture and/or sale. Possession of this drawing does not convey permission to reproduce or manufacture article. Permission shall only be granted in writing and must be signed by an officer of L.I.C..		
Tolerance In Inches .xx ± .01 fract. .xxx ± .005 ang. ± 1/2° .xxxx ± .0015		Equipment where used 8 LEAD SOT-23 DEVICE	PROD. NO.04334 081 X215	
SCALE 2/1		Part Description SOCKET	DWG. NO.04334 081 X215	
Orig. Release DRAFTED by/date WTC/5-13-04	CHECKED by/date RTM/JAL II 2-11-99	ISSUE DATE	PAGE NO. 1 OF 2	

REVISION		
symbol	description	initial/date
*	UPDATED DRAWING FORMAT	WTC/5-13-04

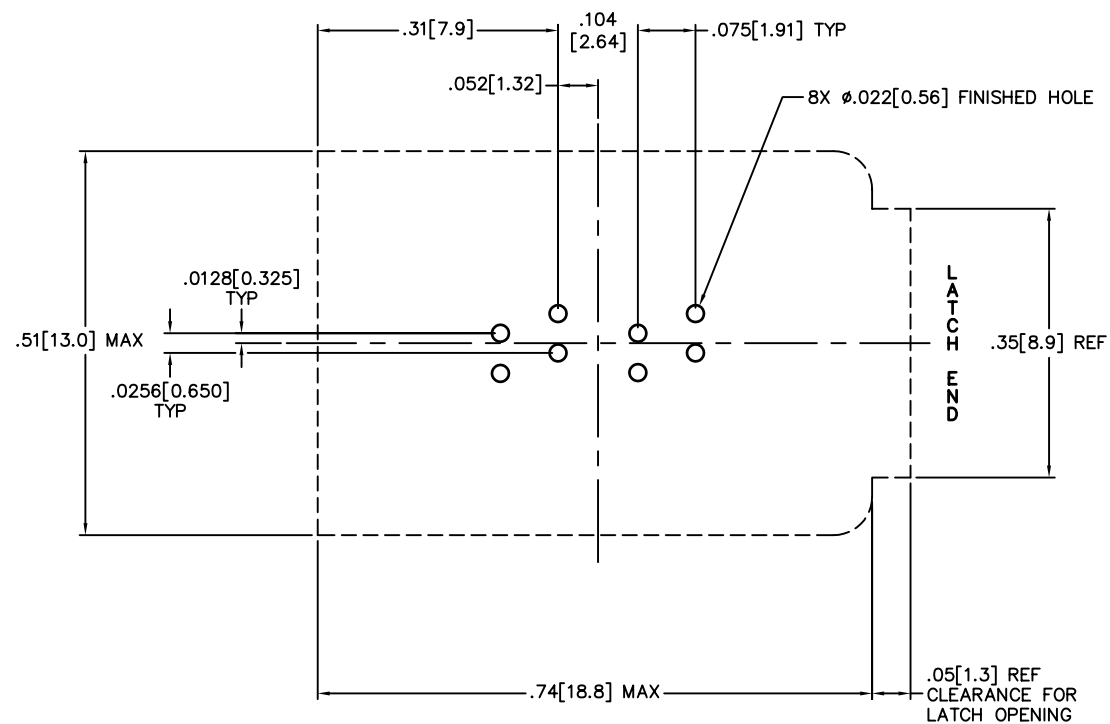
DEVICE TYPE : 8 LEAD "SOT-23" PACKAGE (REFER TO "IBM" SUPPLIED DRAWING).

- CONTROLLING DIMENSIONS : mm
- SCALE : 10/1



RECOMMENDED P.T.H. PATTERN (VIEW FROM THE TOP)

- CONTROLLING DIMENSIONS : INCH
- SCALE : 4/1



Tolerance In Inches
 .xx±.01 fract.
 .xxx±.003 ang.±1/2°
 .xxxx±.0030

NOTICE
 Drawing is subject to change without notice and is L.I.C. proprietary in design and content. L.I.C. retains all patent rights and exclusive rights of use, manufacture and/or sale. Possession of this drawing does not convey permission to reproduce or manufacture article. Permission shall only be granted in writing and must be signed by an officer of L.I.C..

Equipment where used	8 LEAD SOT-23 DEVICE	PROD. NO.04334 081 X215
Part Description	SOCKET	DWG. NO.04334 081 X215
SCALE X: X	Orig. Release	DRAFTED by/date WTC/5-13-04
		CHECKED by/date RTM/JAL 2-11-99
		ISSUE DATE
		PAGE NO. 2 OF 2