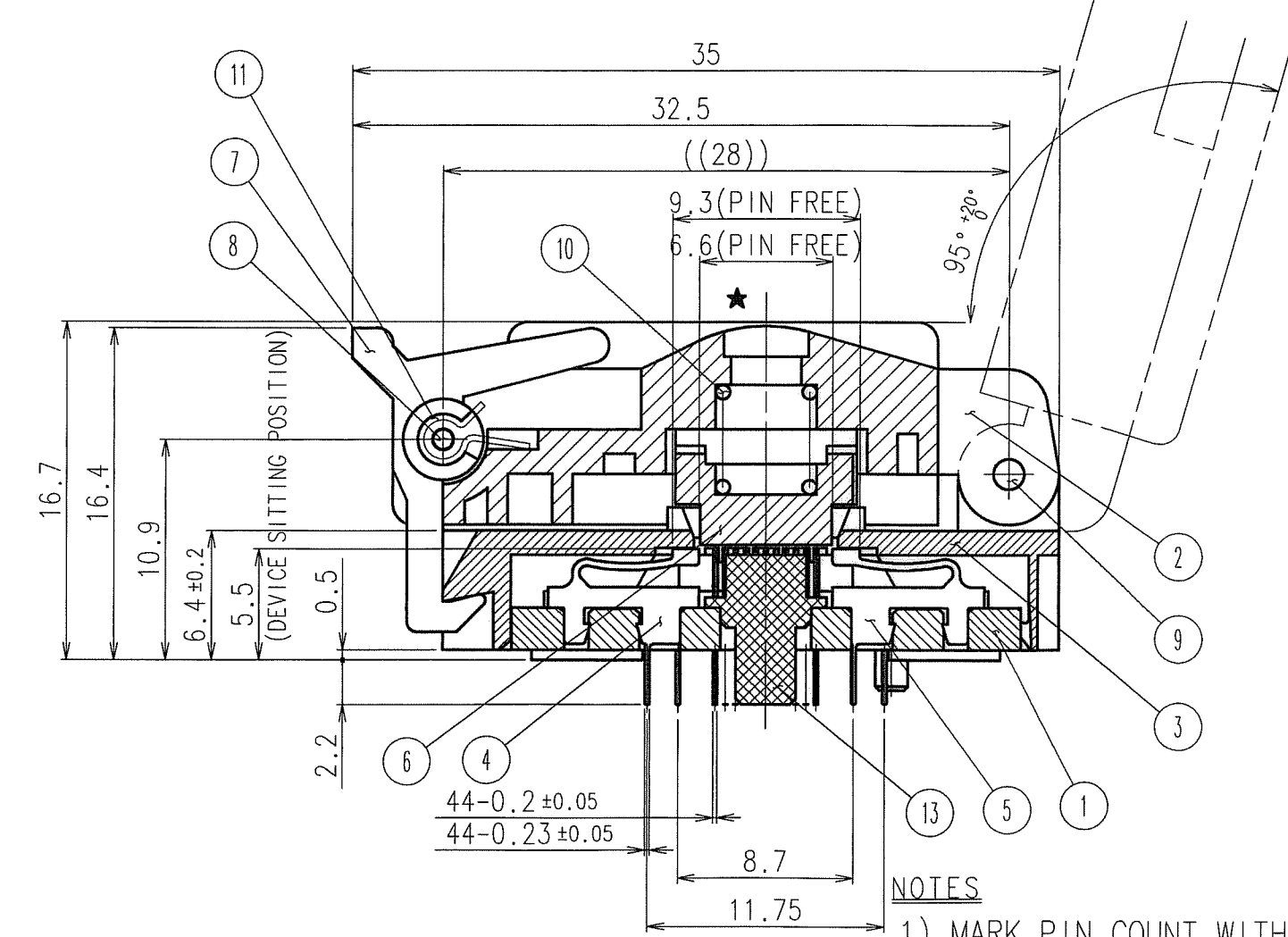
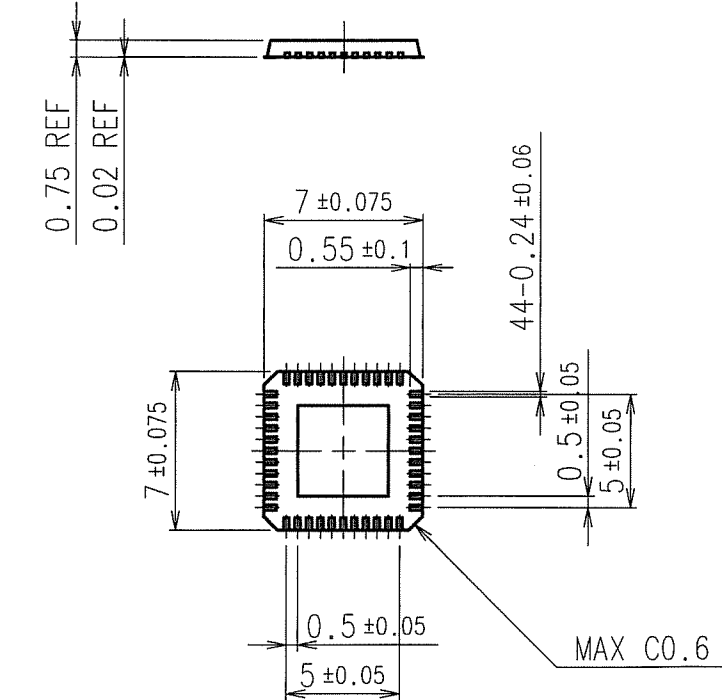
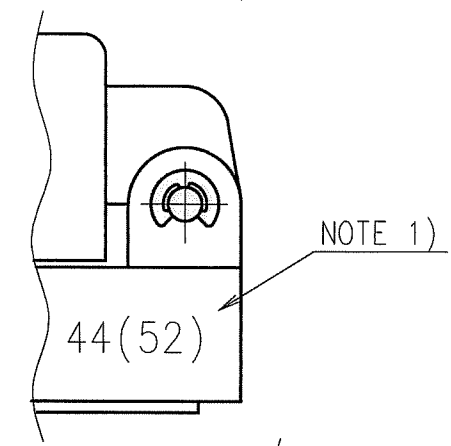
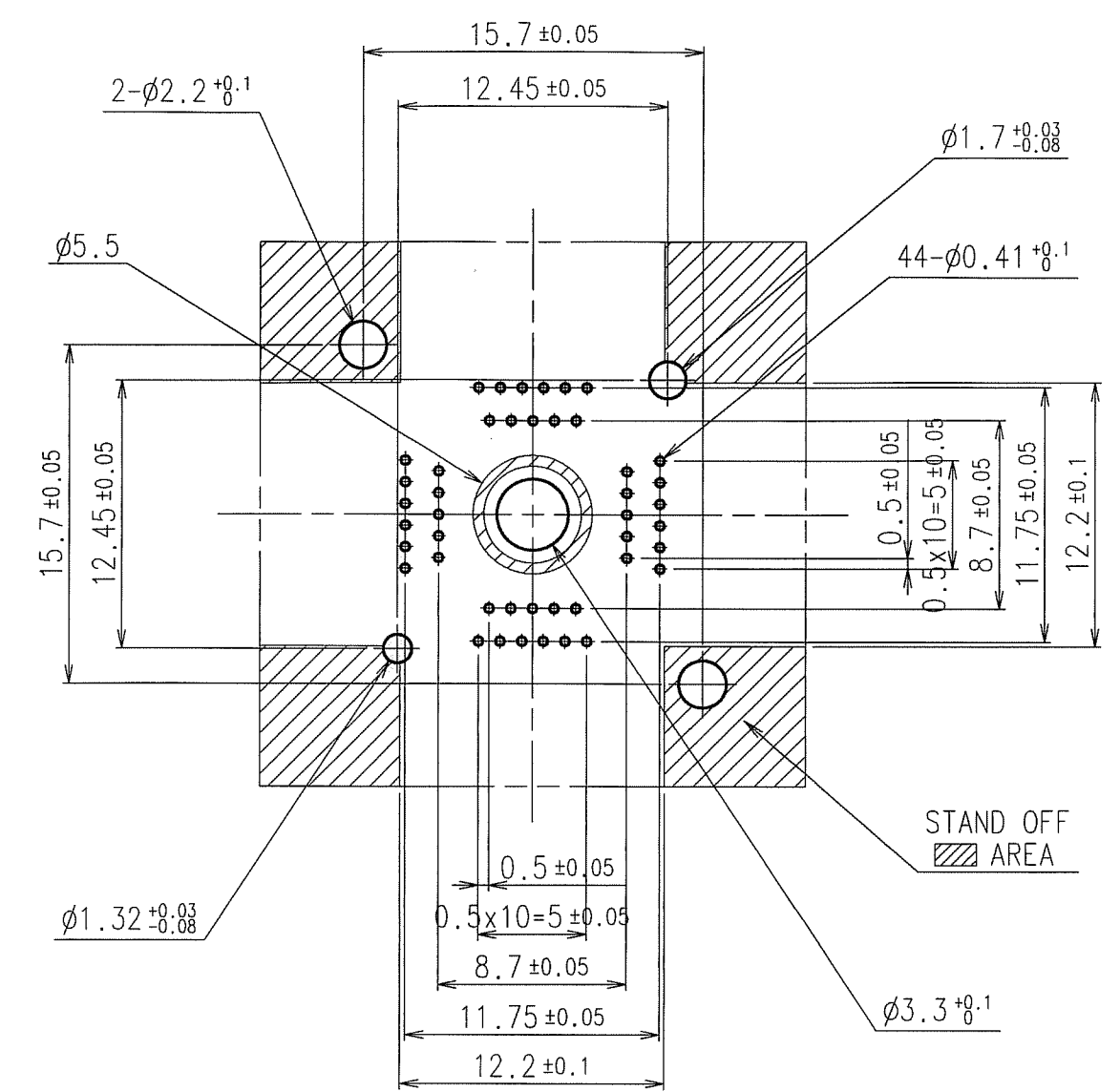
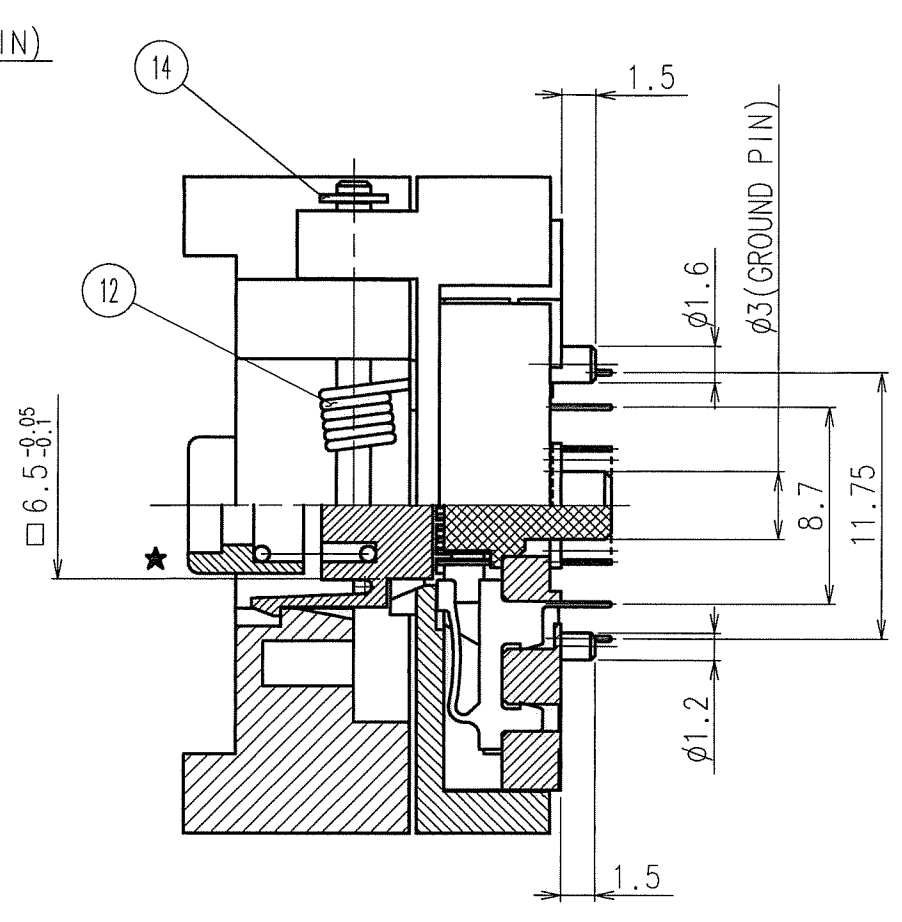
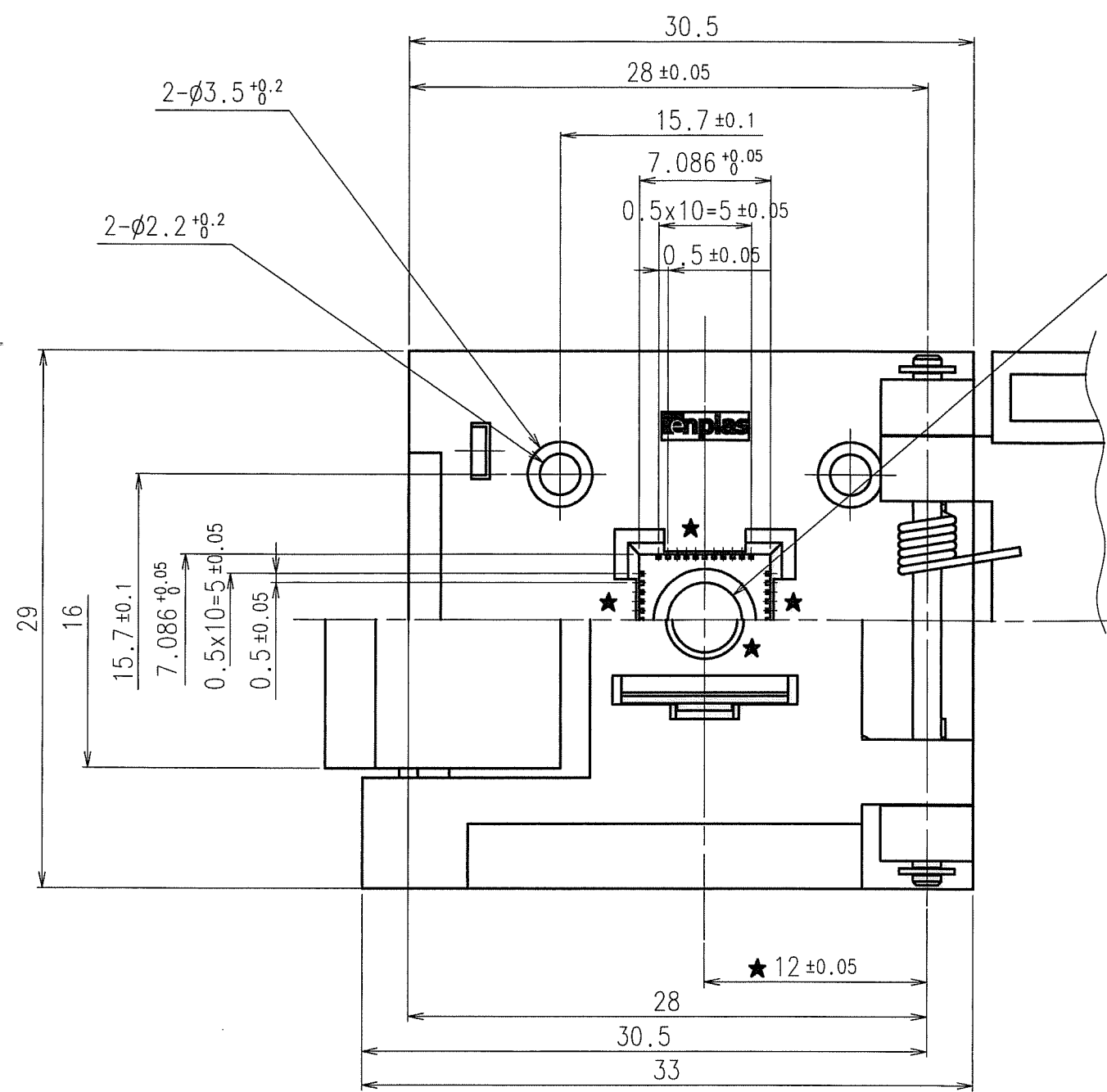


改訂図
NO. 1
★印記号は改訂内容



SPECIFICATION 仕様	
CONTACT RESISTANCE 接触抵抗	50mΩ or less at 10mA (INITIAL)
DIELECTRIC WITHSTANDING VOLTAGE 耐電圧	500 V.A.C for 1 minute
INSULATION RESISTANCE 絶縁抵抗	1000 MΩ or more at 500V.D.C
OPERATING TEMPERATURE 使用温度	-65℃~150℃
RETENTION FORCE 端子抜け強度	0.5kg for 1 minute
INSERTION 寿命	10000 cycle(MECHANICAL)

★ 17	COTS	55-113-131-01	HEX. THIN NUT M2	SUS	2	SHIP WITH SOCKETS
★ 16	COTS	55-113-111-01	SPRING LOCK WASHER 2.0	SUS	2	SHIP WITH SOCKETS
★ 15	COTS	55-113-009-01	PAN HEAD SCREW M2XL10	SUS	2	SHIP WITH SOCKETS
14	COTS	55-113-002-01	E-RING(φ 1.2)	SUS	2	
13	QFN-56-0.5-01-12	55-111-836-01	GROUND PIN	BRASS	1	Au PLATING
12	FP-28-1.27-09-003	55-112-035-01	COIL SPRING	SUS	1	FOR COVER
11	FPQ-64-1.0-01-004	55-112-007-01	COIL SPRING	SUS	1	FOR STOPPER
10	QFN-56-0.5-01-11	55-112-809-01	COIL SPRING	SUS	1	FOR PUSHER
9	QFN-68-0.5-01-10	55-111-834-01	SHAFT	SUS	1	FOR COVER
8	QFN-68-0.5-01-09	55-111-833-01	SHAFT	SUS	1	FOR STOPPER
7	FPQ-64-1.0-01-003	55-299-043-01	STOPPER	PPS	1	
6	QFN-52-0.5-01-06	56-290-910-01	PUSHER	PES	1	
5	QFN-68-0.5-01-03	56-110-723-01	FMTO CONTACT	BeCu	24	
4	QFN-68-0.5-01-02	56-110-722-01	FMSO CONTACT	BeCu	20	
★ 3	QFN-52-0.5-01-04	57-290-442-01	GUIDE	PES	1	
★ 2	QFN-68-0.5-01-05	56-290-835-01	COVER	PES	1	
1	QFN-52-0.5-01-01	56-290-839-01	BODY	PES	1	

A2-A-SP
L
K
J
I
H
G
F
E
D
C
B
A
部門 枚数
SECTION SHEETS

NOTES
1) MARK PIN COUNT WITH LASTER MARK.
★ 2) Under the any humidity involved testing, the socket MUST be fixed on the BIB with provided screws.

機種 USED FOR		顧客品番 CUSTOMER'S PART NO.	一般公差 GENERAL TOLERANCES
承認者 APPROVED BY	N. TAKAYAMA	品名 NAME	±0.3, ±10°
検出者 CHECKED BY		QFN-44(52)BT-0.5-01-00	尺規 SCALE 3:1
設計者 DESIGNED BY	H. KISO	IC SOCKET	REV. NO. 1
製作者 DRAWN BY	A. MORISHITA	図番 DRAWING NO.	55-037-023-01 1/1
訂正年月日 DATE	訂正箇所 REVISIONS	承認者 APP.	
05.01.19	改訂図No1発行(改訂箇所は★印13箇所)	担当 SIGN	
		作成年月日 ISSUED ON	2003/12/9